



AN
INNOVIA
MEDICAL
COMPANY



OPHTHALMIC CANNULAE
Sterile and Single-Use



Innovia Medical is a **family of specialty surgical companies** that are passionately committed to partnering with medical professionals to help elevate the delivery of patient care and improve clinical outcomes.

ELEVATING CARE. IMPROVING OUTCOMES.

Innovia Medical companies develop and manufacture a portfolio of product solutions designed with both the medical professional and their patients in mind, to deliver care that:

- Saves time for both the medical professional and patient
- Delivers a consistent and predictable care experience
- Improves patient confidence with reduced recovery times and less discomfort

Innovia Medical does this through a commitment to innovation leadership, unsurpassed product quality and a dedication to provide responsive, personalized customer service.

INNOVATION LEADERSHIP.

Innovation leadership is fueled through our dedication to collaboration with medical professionals. We regularly seek feedback and input from physicians, nurses, and other medical professionals through product research, testing and development.

This allows us to truly understand the solutions medical professionals need, and guides our innovative culture focused on inventing new, industry-leading solutions and reinventing current solutions that make ordinary products extraordinary, across the specialty surgery spectrum.

UNSURPASSED PRODUCT QUALITY.

Our products deliver proven solutions and dependability which is the result of rigorous quality control and a relentless commitment to ongoing manufacturing improvements. We use only the highest quality materials and subject all products to rigorous inspection protocols. This is why we're proud to have so many customers who have continued to rely on our solutions for more than forty years.

RESPONSIVE, PERSONALIZED CUSTOMER SERVICE.

From our sales representatives to our customer service team, every associate at Innovia Medical strives to deliver an unrivaled customer experience. This begins by ensuring that each customer receives the product that is right for their specific needs. We provide assistance through technical support and live customer service representatives with extensive product knowledge, available throughout the day. We deliver quick and thorough responses, every time—from order and shipping confirmations to delivery date communications and more ensuring continuous satisfaction.

We know you're committed to providing the best patient care experience possible and that's why we commit to being your trusted partner helping you every step of the way. At Innovia Medical, we are not just products, we are part of the patient care solution.





Learn more at www.innoviamedical.com.

CONTENTS

Anaesthesia Administration	1
Anterior Chamber Maintenance	2
Irrigation, Air Injection & Viscoelastic	3
Capsulotomy	7
Hydrodissection	10
Hydrodelineation	12
Irrigation & Aspiration	13
Nucleus Removal	13
Capsule Polishing	13
Cortex Removal	15
Corneal Abrasion	16
Fluid Administration	16
Glaucoma	17
Oculoplastic	17
Refractive (LASIK)	19
Vitreoretinal	21
Quick Reference Index	23

Anaesthesia Administration

Tri-Port Sub Tenon Cannulae - 10 per box

Code	Hub	Gauge and Size	Description
100-19		19G x 1"	1.0 x 25 mm 2 x .4mm Side Ports, Open Ended, Angled
100-19C		19G x 1"	1.0 x 25 mm 2 x .4mm Side Ports, Open Ended, Curved
100-21		21G x 1"	0.8 x 25 mm 2 x .4mm Side Ports, Open Ended, Angled
100-21C		21G x 1"	0.8 x 25 mm 2 x .4mm Side Ports, Open Ended, Curved






100-19



100-21C




Atkinson Tip Retrobulbar - 10 per box

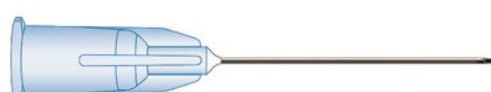
Code	Hub	Gauge and Size
101-23		23G x 1 1/2" 0.6 x 38 mm
101-25		25G x 1 1/2" 0.5 x 38 mm
101-27		27G x 1 1/2" 0.4 x 38 mm



101-25

Atkinson Tip Peribulbar - 10 per box


Code	Hub	Gauge and Size
102-23-32		23G x 1 1/4" 0.6 x 32 mm
102-25-32		25G x 1 1/4" 0.5 x 32 mm
102-27-32		27G x 1 1/4" 0.4 x 32 mm

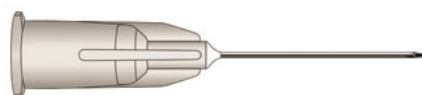


102-23-32

Anaesthesia Administration


Atkinson Tip Peribulbar - 10 per box

Code	Hub	Gauge and Size
102-25-22		25G x 7/8" 0.5 x 22 mm
102-27-22		27G x 7/8" 0.4 x 22 mm



102-27-22

Sharp Point Retrobulbar - 10 per box

Code	Hub	Gauge and Size	Description
103-25		25G x 1 1/2" 0.5 x 38 mm	Sharp Tip Retrobulbar



103-25

Anterior Chamber Maintenance

Anterior Chamber Maintainer - 3 per box



Code	Hub	Gauge and Size	Description
170-20		20G x 3/16" 0.9 x 4.76 mm	Infusion Cannulae with Self Retaining Serrated Tip, 8" Flexible Tubing

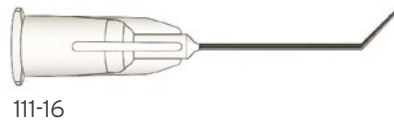


170-20



Irrigation, Air Injection & Viscoelastic

Anterior Chamber Washout - 10 per box

Code	Hub	Gauge and Size	Description
111-16		16G x 1"	1.4 x 25 mm 25mm Long, Flattened Tip, Angled
111-19		19G x 1"	1.1 x 25 mm 25mm Long, Flattened Tip, Angled






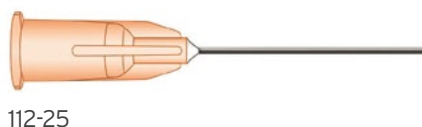
Bishop Harmon Cannulae - 10 per box

Code	Hub	Gauge and Size	Description
111-16BH		16G x 1"	1.4 x 25 mm 6mm Bend to Tip
111-19BH		19G x 1"	1.1 x 25 mm 8mm Bend to Tip






Anterior Chamber Irrigator - 10 per box

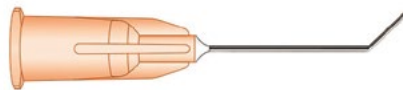
Code	Hub	Gauge and Size	Description
112-25		25G x 1"	0.5 x 25 mm 25mm Straight, Round Tip
112-27		27G x 1"	0.4 x 25 mm 25mm Straight, Round Tip
112-30		30G x 1"	0.3 x 25 mm 25mm Straight, Round Tip



Irrigation, Air Injection & Viscoelastic

Anterior Chamber Irrigator - 10 per box









Code	Hub	Gauge and Size	Description
110-25-4		25G x 1"	0.5 x 25 mm 4mm Bend to Tip, Angled 30°
110-27-4		27G x 1"	0.4 x 25 mm 4mm Bend to Tip, Angled 30°
110-30-4		30G x 1"	0.3 x 25 mm 4mm Bend to Tip, Angled 30°

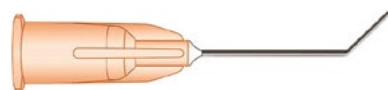


110-25-4



110-30-4

Code	Hub	Gauge and Size	Description
110-20		20G x 1"	0.9 x 25 mm 7mm Bend to Tip, Angled 30°
110-21		21G x 1"	0.8 x 25 mm 7mm Bend to Tip, Angled 30°
110-22		22G x 1"	0.7 x 25 mm 7mm Bend to Tip, Angled 30°
110-23		23G x 1"	0.6 x 25 mm 7mm Bend to Tip, Angled 30°
110-25		25G x 1"	0.5 x 25 mm 7mm Bend to Tip, Angled 30°
110-26		26G x 1"	0.45 x 25 mm 7mm Bend to Tip, Angled 30°
110-27		27G x 1"	0.4 x 25 mm 7mm Bend to Tip, Angled 30°
110-30		30G x 1"	0.3 x 25 mm 7mm Bend to Tip, Angled 30°





110-25

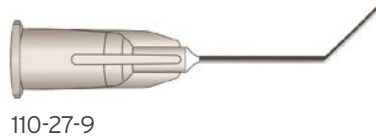


110-27



Irrigation, Air Injection & Viscoelastic

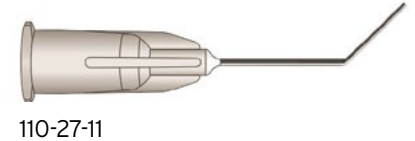
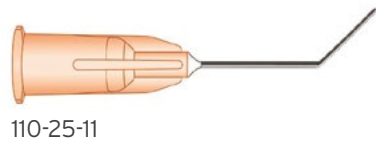
Anterior Chamber Irrigator - 10 per box

Code	Hub	Gauge and Size	Description
110-27-9		27G x 1" 0.4 x 25 mm	9mm Bend to Tip, Angled 30°
110-30-9		30G x 1" 0.3 mm	9mm Bend to Tip, Angled 30°




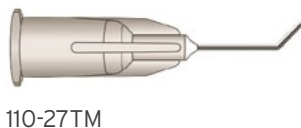
Anterior Chamber Irrigator - 10 per box

Code	Hub	Gauge and Size	Description
110-25-11		25G x 1" 0.5 x 25 mm	11mm Bend to Tip, Angled 30°
110-27-11		27G x 1" 0.4 x 25 mm	11mm Bend to Tip, Angled 30°



Anterior Chamber Irrigator (Mendez) - 10 per box

Code	Hub	Gauge and Size	Description
110-27TM		27G x 3/8" 0.4 x 10mm	3mm Bend to Tip, Angled 45°



Irrigation, Air Injection & Viscoelastic

Anterior Chamber Irrigator - 10 per box

Code	Hub	Gauge and Size	Description
------	-----	----------------	-------------

110-26 1/2  26G x 1/2" 0.45 x 12mm 8mm Bend to Tip, Angled 25°

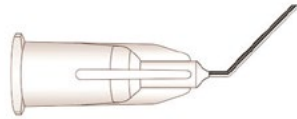


110-26 1/2

Anterior Chamber Irrigator - 10 per box

Code	Hub	Gauge and Size	Description
------	-----	----------------	-------------


110-30SP  30G x 9/16" 0.3 x 14 mm 12mm Bend to Tip, Angled 45°, Beveled




110-30SP

FLOvisc Viscoelastic Cannulae - 10 per box

Code	Hub	Gauge and Size	Description
------	-----	----------------	-------------

109-27-25  20G x 1" 0.9/0.5 mm 20G Stepped Down to 25G, 10mm Angled Tip

109-27  20G x 1" 0.9/0.4 mm 20G Stepped Down to 27G, 10mm Angled Tip

109-22  22G x 1" 0.7/0.4 mm 22G Stepped Down to 27G, 10mm Angled Tip



109-27-25



109-22

Infusion (Wright) - 10 per box

Code	Hub	Gauge and Size	Description
------	-----	----------------	-------------


170-20W  20G x 1" 0.9 x 25 mm 7mm Bend to Beveled Tip, Angled 45°


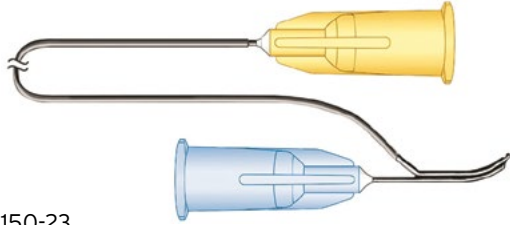


170-20W

Irrigation, Air Injection & Viscoelastic


I and A Cannulae (Simcoe) - 6 per box


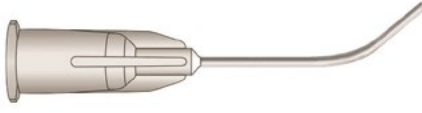
Code	Hub	Gauge and Size	Description
150-23		23G 0.6 x 330 mm	Irrigation through Cannulae, 0.4mm Side Port, Aspiration through 13" (33cm) Flexible Tubing



Capsulotomy


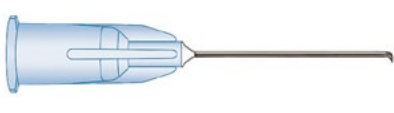
Silicone Tip Capsule Polishers (Engels) - 10 per box

Code	Hub	Gauge and Size	Description
128-27		27G x 1" 0.4 x 25 mm	40° Curve, Extended Silicone Sleeve

Irrigating Cystotome - 10 per box


Code	Hub	Gauge and Size	Description
120-23S		23G x 1" 0.6 x 25 mm	Straight Tip
120-25S		25G x 5/8" 0.5 x 16 mm	Straight Tip

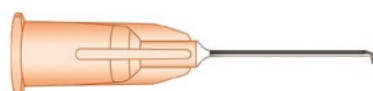
Capsulotomy

Irrigating Cystotome - 10 per box

Code	Hub	Gauge and Size	Description
------	-----	----------------	-------------

122-23S		23G x 3/4"	0.6 x 19 mm	Straight, Reverse Tip
---------	---	------------	-------------	-----------------------


122-25S		25G x 5/8"	0.5 x 16 mm	Straight, Reverse Tip
---------	---	------------	-------------	-----------------------



122-25S

Code	Hub	Gauge and Size	Description
------	-----	----------------	-------------

120-25F-8		25G x 5/8"	0.5 x 16 mm	8mm Formed Tip
-----------	---	------------	-------------	----------------

120-27F-8		27G x 1/2"	0.4 x 13 mm	8mm Formed Tip
-----------	---	------------	-------------	----------------

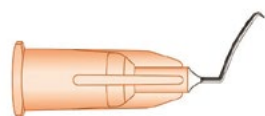


120-27F-8

Code	Hub	Gauge and Size	Description
------	-----	----------------	-------------

121-25F-8		25G x 5/8"	0.5 x 16 mm	8mm Formed Tip, Push/Pull
-----------	---	------------	-------------	---------------------------


121-27F-8		27G x 1/2"	0.4 x 13 mm	8mm Formed Tip, Push/Pull
-----------	---	------------	-------------	---------------------------

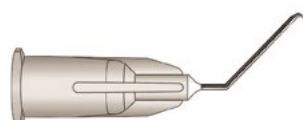


121-25F-8

Code	Hub	Gauge and Size	Description
------	-----	----------------	-------------

123-25		25G x 5/8"	0.5 x 16 mm	10mm Angled Tip
--------	---	------------	-------------	-----------------

123-27		27G x 1/2"	0.4 x 13 mm	10mm Angled Tip
--------	---	------------	-------------	-----------------



123-27

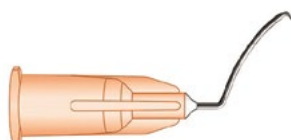
Capsulotomy

Irrigating Cystotome - 10 per box

Code	Hub	Gauge and Size	Description
------	-----	----------------	-------------

120-25F-12		25G x 5/8" 0.5 x 16 mm	12mm Formed Tip
------------	---	------------------------	-----------------

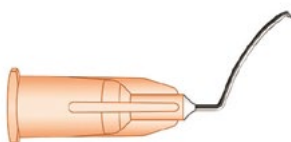
120-27F-12		27G x 1/2" 0.4 x 13 mm	12mm Formed Tip
------------	---	------------------------	-----------------



120-25F-12

Code	Hub	Gauge and Size	Description
------	-----	----------------	-------------

121-25F-12		25G x 5/8" 0.5 x 16 mm	12mm Formed Tip, Push/Pull
------------	---	------------------------	----------------------------

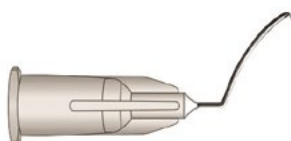


121-25F-12

Code	Hub	Gauge and Size	Description
------	-----	----------------	-------------

122-25RF		25G x 5/8" 0.5 x 16 mm	12mm Formed Tip, Reverse
----------	---	------------------------	--------------------------

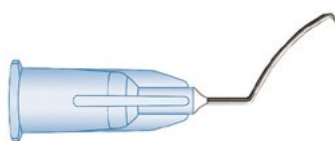
122-27RF		27G x 1/2" 0.4 x 13 mm	12mm Formed Tip, Reverse
----------	---	------------------------	--------------------------



122-27RF

Code	Hub	Gauge and Size	Description
------	-----	----------------	-------------

120-01		25G x 3/4" 0.5 x 19 mm	13mm Formed Tip
--------	---	------------------------	-----------------



120-01

Hydrodissection

Hydrodissection (Chang) - 10 per box

Code	Hub	Gauge and Size	Description
------	-----	----------------	-------------

113-01		27G x 1"	0.4 x 25 mm 1.5mm Flat Beveled Tip, 90 ° Angled
--------	---	----------	---




113-01

Nucleus Hydrodissection - 10 per box

Code	Hub	Gauge and Size	Description
------	-----	----------------	-------------

113-23		23G x 1"	0.6 x 25 mm 7mm Flattened Tip
--------	---	----------	-------------------------------

113-25		25G x 1"	0.5 x 25 mm 7mm Flattened Tip
--------	---	----------	-------------------------------

113-27		27G x 1"	0.4 x 25 mm 7mm Flattened Tip
--------	--	----------	-------------------------------

113-30		30G x 1"	0.3 x 25 mm 7mm Flattened Tip
--------	---	----------	-------------------------------



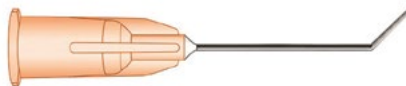
113-23

Nucleus Hydrodissection - 10 per box

Code	Hub	Gauge and Size	Description
------	-----	----------------	-------------

213-25		25G x 1"	0.5 x 25 mm 7mm Flattened Tip, Vertical Flow
--------	---	----------	--






213-27		27G x 1"	0.4 x 25 mm 7mm Flattened Tip, Vertical Flow
--------	---	----------	--



213-25

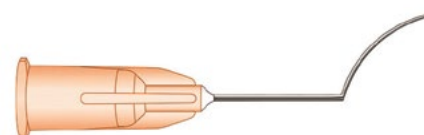
Hydrodissection

Nucleus Hydrodissection - 10 per box

Code	Hub	Gauge and Size	Description
113-25-8		25G x 1"	0.5 x 25 mm 8mm Flattened Tip
113-25-10		25G x 1"	0.5 x 25 mm 10mm Flattened Tip
113-27-10		27G x 1"	0.4 x 25 mm 10mm Flattened Tip
113-25F-12		25G x 1"	0.5 x 25 mm 12mm Formed, Flattened Tip
113-27F-12		27G x 1"	0.4 x 25 mm 12mm Formed, Flattened Tip







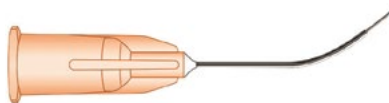
113-27-10



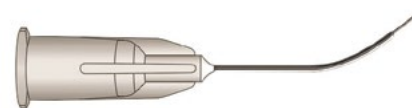
113-25F-12

Nucleus Hydrodissection - 10 per box

Code	Hub	Gauge and Size	Description
118-25		25G x 1"	0.5 x 25 mm Curved, Horizontal Flattened Tip
118-25S		25G x 1"	0.5 x 25 mm Curved, Vertical Flattened Tip
118-27		27G x 1"	0.4 x 25 mm Curved, Horizontal Flattened Tip
118-27S		27G x 1"	0.4 x 25 mm Curved, Vertical Flattened Tip



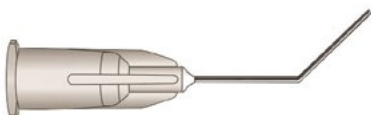
118-25



118-27

Cortical Cleaving Hydrodissection (Grabow) - 10 per box



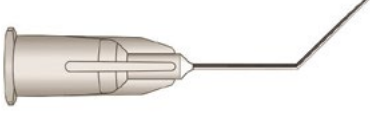
Code	Hub	Gauge and Size	Description
217-27		27G x 1"	0.4 x 25 mm 11mm Bend to Round Tip, Angled 45°





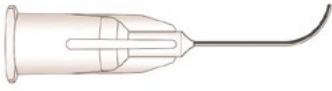
217-27

Hydrodissection

Cortical Cleaving Hydrodissection - 10 per box




Code	Hub	Gauge and Size	Description
218-27		27G x 1"	0.4 x 25 mm 11mm Flattened Tip, Angled 45°
			218-27

Hydrodissection (Tuebingen) - 10 per box

Code	Hub	Gauge and Size	Description
313-30		30G x 1"	0.3 x 25 mm 75° Curved, Round Tip
			313-30


Hydrolineation

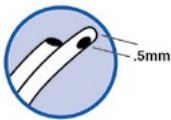
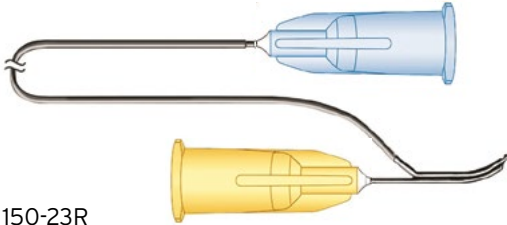
Nucleus Hydrolineation - 10 per box

Code	Hub	Gauge and Size	Description
114-30		30G x 1"	0.3 x 25 mm Curved, Beveled Tip
			114-30

Irrigation & Aspiration

Reverse I and A Cannulae (Simcoe) - 6 per box





Code	Hub	Gauge and Size	Description
150-23R		21G 0.8 x 330 mm	Aspiration through Cannulae, 0.4mm Side Port, Irrigation through 13" (33cm) Flexible Tubing

150-23R

Nucleus Removal

Irrigating Vectis - 10 per box

Code	Hub	Gauge and Size	Description
140-25-1		25G 0.5 mm	5mm Wide (1 ea.), 0.3mm Open Port
140-25-2		25G 0.5 mm	5mm Wide (2 ea.), 0.3mm Open Port
140-25-3		25G 0.5 mm	5mm Wide (3 ea.), 0.3mm Open Port
140-27-1		27G 0.4 mm	3mm Wide (1 ea.), 0.3mm Open Port



140-25-1

Capsule Polishing

Capsule Polishers (Lu) - 10 per box



Code	Hub	Gauge and Size	Description
124-23		23G x 1" 0.6 x 25 mm	8mm Bend, 30mm Top Port, Rounded Tip, Curved, Roughened Olive Tip, Open Port

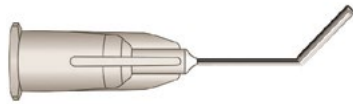



124-23

Capsule Polishing


Capsule Polishers (Terry) - 10 per box

Code	Hub	Gauge and Size	Description
125-23		23G x 1"	0.6 x 25 mm 7mm Angled, Silicone Tip
125-27		27G x 1"	0.4 x 25 mm 7mm Angled, Silicone Tip



125-27



Capsule Polishers (Kratz) - 10 per box

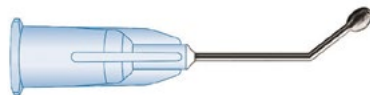
Code	Hub	Gauge and Size	Description
125-24		24G x 1"	0.55 x 25 mm 8mm Angled, 0.3mm Port



125-24

Capsule Polishers - 10 per box




Code	Hub	Gauge and Size	Description
126-23		23G x 1"	0.6 x 25 mm 10mm Angled, Olive Tip
126-25		25G x 1"	0.5 x 25 mm 10mm Angled, Olive Tip






126-23

Cortex Removal




Simcoe Cortex Extractor - 10 per box

Code	Hub	Gauge and Size	Description
108-23		23G x 1" 0.6 x 25 mm	Curved, 0.3mm Inside Port
		108-23	



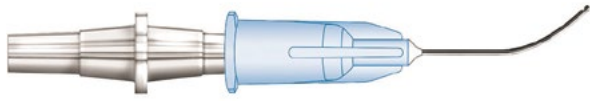
Aspirating J-Hook - 10 per box

Code	Hub	Gauge and Size	Description
105-27S		27G x 1" 0.4 x 25 mm	2.0mm x 2.0mm Straight Hook
		105-27S	

Aspirating Cortex Extractor - 10 per box


Code	Hub	Gauge and Size	Description
106-27S		27G x 1" 0.4 x 25 mm	1.5mm x 1.5mm Straight Hook
		106-27S	


Cortex Aspiration - 10 per box

Code	Hub	Gauge and Size	Description
191-23		23G x 1" 0.6 x 25 mm	0.4mm Side Port, Male Adapter, Curved
		191-23	

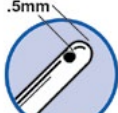
Cortex Removal

Bimanual I/A Cortex Removal System - 10 per box

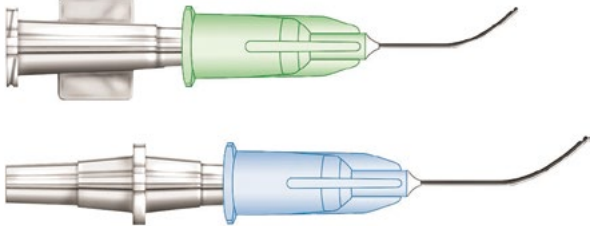
Code	Hub	Gauge and Size	Description
192-23		21G/23G x 1" 0.8/0.6 mm	0.4mm Side Port, Male/Female Adapters, Curved



Irrigation




Aspiration




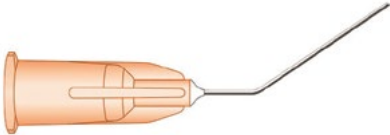
192-23

Corneal Abrasion

Stromal Puncture Needle - 10 per box

Code	Hub	Gauge and Size	Description
165-25		25G x 1" 0.5 x 25 mm	19mm Bend to Tip, 30° Angled





165-25

Fluid Administration


Ocular Irrigation Tube - 20 per box


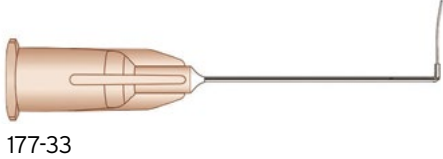
Code	Hub	Gauge and Size	Description
169-30L-6			Extension Tube with Male/Female Luer Connections
169-30L-10			Extension Tube with Male/Female Luer Connections




Glaucoma


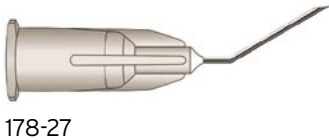
Visco Canalostomy - 5 per box

Code	Hub	Gauge and Size	Description
177-33		32G	5mm Beveled Tip, Angled




Glaucoma Revision Pick (Lederer) - 10 per box


Code	Hub	Gauge and Size	Description
178-27		27G x 1/2" 0.4 x 13 mm	10mm Bend to Tip, Angled 30°






Oculoplastic

Lacrimal Cannulae - 10 per box



Code	Hub	Gauge and Size	Description
160-21		21G x 1 1/2" 0.8 x 38 mm	Curved, Open End
160-25		25G x 1 1/2" 0.5 x 38 mm	Curved, Open End
160-26		26G x 1 1/2" 0.45 x 38 mm	Curved, Open End








Oculoplastic


Lacrimal Cannulae - 10 per box

Code	Hub	Gauge and Size	Description
161-23		23G x 1 1/2" 0.6 x 38 mm	Curved, 0.3mm Side Port
161-25		25G x 1 1/2" 0.5 x 38 mm	Curved, 0.3mm Side Port








161-23




161-25


Lacrimal Cannulae - 10 per box

Code	Hub	Gauge and Size	Description
163-21		21G x 1 1/2" 0.8 x 38 mm	Straight, 0.3mm Side Port
163-25		25G x 1 1/2" 0.5 x 38 mm	Straight, 0.3mm Side Port







163-21




163-25

Lacrimal Cannulae - 10 per box

Code	Hub	Gauge and Size	Description
162-23		19G/23G x 1 1/2" 1.0 x 25 mm	25mm Straight with 13mm 23G Tip



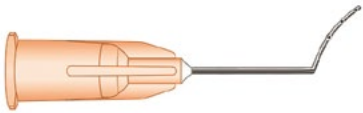






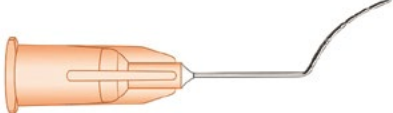
162-23

Refractive (LASIK)



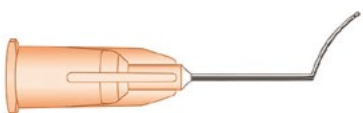
LASIK Irrigating Cannulae (Guell) - 10 per box

Code	Hub	Gauge and Size	Description
605-25		25G x 1"	0.5 x 25 mm 9mm Formed Bend to Tip, 6 Ports Open Ended
		605-25	






LASIK Irrigating Cannulae (Banaji) - 10 per box

Code	Hub	Gauge and Size	Description
604-25		25G x 1"	0.5 x 25 mm 12mm Formed, 6x ports, Closed End
		604-25	

LASIK Irrigating Cannulae (Burrato) - 10 per box



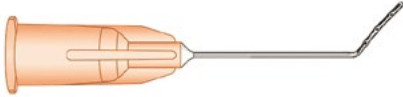
Code	Hub	Gauge and Size	Description
606-25		25G x 1"	0.5 x 25 mm 9mm Formed Bend, 2 Ports Open Ended
		606-25	

LASIK Flap Irrigator (Vidaurri) - 10 per box






Code	Hub	Gauge and Size	Description
600-16		25G x 1"	0.5 mm 9mm Angled Bend to Tip, Dual Multi-Port Irrigation Tips, 2 Ports (ea.)
600-06		25G x 1"	0.5 mm 13mm Angled Bend to Tip, Dual Multi-Port Irrigation Tips, 4 Ports (ea.)
		600-16	
			600-06

Refractive (LASIK)




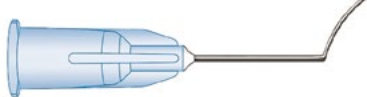
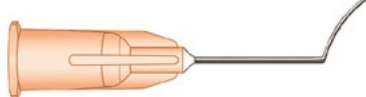
LASIK Irrigating Cannulae (Lindstrom) - 10 per box

Code	Hub	Gauge and Size	Description
603-25		25G x 1"	0.5 x 25 mm 7mm Angled, 3x 0.3mm Ports
		603-25	



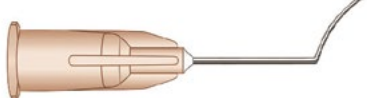
LASIK Irrigating Cannulae (Nichamin) - 10 per box

Code	Hub	Gauge and Size	Description
600-25		25G x 1"	0.5 x 25 mm 12mm Formed, Flattened Tip, Open Irrigation
600-27		27G x 1"	0.4 x 25 mm 12mm Formed, Flattened Tip, Open Irrigation
		600-25	
		600-27	

LASIK Flap Spatula/Irrigator (Hersh) - 10 per box



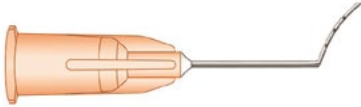
Code	Hub	Gauge and Size	Description
610-23		23G x 1"	0.6 x 25 mm 9mm Angled Bend to Tip
610-25		25G x 1"	0.5 x 25 mm 9mm Angled Bend to Tip
		610-23	
		610-25	

LASIK Irrigating Spatula (Slade) - 10 per box



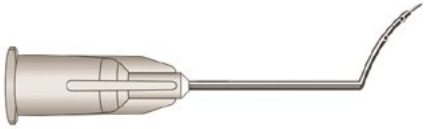
Code	Hub	Gauge and Size	Description
613-26		26G x 1"	0.45 x 25 mm 9mm Formed Bend to Tip
		613-26	

Refractive (LASIK)

LASIK Irrigating Cannulae (Soloman) - 10 per box

Code	Hub	Gauge and Size	Description
614-25		25G x 1"	0.5 x 25 mm Formed Spatula Tip, 3 Ports
		614-25	

LASIK Irrigating Cannulae - 10 per box

Code	Hub	Gauge and Size	Description
617-27		27G x 1"	0.4 x 25 mm 10mm Formed Bend to Tip, Flattened, 4 Ports
		617-27	

Vitreoretinal

Subretinal Fluid Cannulae (Gizzard) - 10 per box

Code	Hub	Gauge and Size	Description
166-25		20G	0.9 x 37 mm Silicone Sleeve Extended 6mm Beyond Tip, Straight
		166-25	

Quick Reference Index

Code	Name	Description	Length (mm)	Length (inch)	Gauge	Dia (mm)	Page
100-19	Tri-Port Sub Tenon Cannulae	2x .4mm Side Ports, Open Ended, Angled	25	1"	19G	1.0	1
100-19C	Tri-Port Sub Tenon Cannulae	2x .4mm Side Ports, Open Ended, Curved	25	1"	19G	1.0	1
100-21	Tri-Port Sub Tenon Cannulae	2x .4mm Side Ports, Open Ended, Angled	25	1"	21G	0.8	1
100-21C	Tri-Port Sub Tenon Cannulae	2x .4mm Side Ports, Open Ended, Curved	25	1"	21G	0.8	1
101-23	Atkinson Tip Retrobulbar		38	1 1/2"	23G	0.6	1
101-25	Atkinson Tip Retrobulbar		38	1 1/2"	25G	0.5	1
101-27	Atkinson Tip Retrobulbar		38	1 1/2"	27G	0.4	1
102-23-32	Atkinson Tip Peribulbar		32	1 1/4"	23G	0.6	1
102-25-32	Atkinson Tip Peribulbar		32	1 1/4"	25G	0.5	1
102-25-32	Atkinson Tip Peribulbar		32	1 1/4"	25G	0.5	1
102-27-32	Atkinson Tip Peribulbar		32	1 1/4"	27G	0.4	1
102-25-22	Atkinson Tip Peribulbar		22	7/8"	25G	0.5	2
102-27-22	Atkinson Tip Peribulbar		22	7/8"	27G	0.4	2
103-25	Sharp Point Retrobulbar	Sharp Tip Retrobulbar	38	1 1/2"	25G	0.5	2
170-20	Anterior Chamber Maintenaner	Infusion Cannulae with Self Retaining Serrated Tip, 8" Flexible Tubing	4.76	3/16"	20G	0.9	2
111-16	Anterior Chamber Washout	25mm Long, Flattened Tip, Angled	25	1"	16G	1.4	3
111-19	Anterior Chamber Washout	25mm Long, Flattened Tip, Angled	25	1"	19G	1.1	3
111-16-BH	Bishop Harmon Cannulae	6mm Bend to Tip	25	1"	16G	1.4	3
111-19-BH	Bishop Harmon Cannulae	8mm Bend to Tip	25	1"	19G	1.1	3
112-25	Anterior Chamber Irrigator	25mm Straight, Round Tip	25	1"	25G	0.5	3
112-27	Anterior Chamber Irrigator	25mm Straight, Round Tip	25	1"	27G	0.4	3
112-30	Anterior Chamber Irrigator	25mm Straight, Round Tip	25	1"	30G	0.3	3
110-25-4	Anterior Chamber Irrigator	4mm Bend to Tip, Angled 30°	25	1"	25G	0.5	4
110-27-4	Anterior Chamber Irrigator	4mm Bend to Tip, Angled 30°	25	1"	27G	0.4	4
110-30-4	Anterior Chamber Irrigator	4mm Bend to Tip, Angled 30°	25	1"	30G	0.3	4

Code	Name	Description	Length (mm)	Length (inch)	Gauge	Dia (mm)	Page
110-20	Anterior Chamber Irrigator	7mm Bend to Tip, Angled 30°	25	1"	20G	0.9	4
110-21	Anterior Chamber Irrigator	7mm Bend to Tip, Angled 30°	25	1"	21G	0.8	4
110-22	Anterior Chamber Irrigator	7mm Bend to Tip, Angled 30°	25	1"	22G	0.7	4
110-23	Anterior Chamber Irrigator	7mm Bend to Tip, Angled 30°	25	1"	23G	0.6	4
110-25	Anterior Chamber Irrigator	7mm Bend to Tip, Angled 30°	25	1"	25G	0.5	4
110-26	Anterior Chamber Irrigator	7mm Bend to Tip, Angled 30°	25	1"	26G	0.45	4
110-27	Anterior Chamber Irrigator	7mm Bend to Tip, Angled 30°	25	1"	27G	0.4	4
110-30	Anterior Chamber Irrigator	7mm Bend to Tip, Angled 30°	25	1"	30G	0.3	4
110-27-9	Anterior Chamber Irrigator	9mm Bend to Tip, Angled 30°	25	1"	27G	0.4	5
110-30-9	Anterior Chamber Irrigator	9mm Bend to Tip, Angled 30°		1"	30G	0.3	5
110-25-11	Anterior Chamber Irrigator	11mm Bend to Tip, Angled 30°	25	1"	25G	0.5	5
110-27-11	Anterior Chamber Irrigator	11mm Bend to Tip, Angled 30°	25	1"	27G	0.4	5
110-27-TM	Anterior Chamber Irrigator (Mendez)	3mm Bend to Tip, Angled 45°	10	3/8"	27G	0.4	5
110-26 1/2	Anterior Chamber Irrigator	8mm Bend to Tip, Angled 25°	12	1/2"	26G	0.45	6
110-30SP	Anterior Chamber Irrigator	12mm Bend to Tip, Angled 45°, Beveled	14	9/16"	30G	0.3	6
109-27-25	FLOvisc Viscoelastic Cannulae	20G Stepped Down to 25G, 10mm Angled Tip		1"	20G/25G	0.9/0.5	6
109-27	FLOvisc Viscoelastic Cannulae	20G Stepped Down to 27G, 10mm Angled Tip		1"	20G/27G	0.9/0.4	6
109-22	FLOvisc Viscoelastic Cannulae	22G Stepped Down to 27G, 10mm Angled Tip		1"	22G/27G	0.7/0.4	6
170-20W	Infusion (Wright)	7mm Bend to Beveled Tip, Angled 45°	25	1"	20G	0.9	6
150-23	I and A Cannulae (Simcoe)	Irrigation through Cannulae, 0.4mm Side Port, Aspiration through 13" (33cm) Flexible Tubing	30	13"	23G	0.6	7
128-27	Silicone Tip Capsule Polishers (Engels)	40° Curve, Extended Silicone Sleeve	25	1"	27G	0.4mm	7
120-23S	Irrigating Cystotome	Straight Tip	25	1"	23G	0.6mm	7
120-25S	Irrigating Cystotome	Straight Tip	16	5/8"	25G	0.5mm	7
122-23S	Irrigating Cystotome	Straight, Reverse Tip	19	3/4"	23G	0.6mm	8
122-25S	Irrigating Cystotome	Straight, Reverse Tip	16	5/8"	25G	0.5mm	8

Code	Name	Description	Length (mm)	Length (inch)	Gauge	Dia (mm)	Page
120-25F-8	Irrigating Cystotome	8mm Formed Tip	16	5/8"	25G	0.5mm	8
120-27F-8	Irrigating Cystotome	8mm Formed Tip	13	1/2"	27G	0.4mm	8
121-25F-8	Irrigating Cystotome	8mm Formed Tip, Push/Pull	16	5/8"	25G	0.5mm	8
121-27F-8	Irrigating Cystotome	8mm Formed Tip, Push/Pull	13	1/2"	27G	0.4mm	8
123-25	Irrigating Cystotome	10mm Angled Tip	16	5/8"	25G	0.5mm	8
123-27	Irrigating Cystotome	10mm Angled Tip	13	1/2"	27G	0.4mm	8
120-25F-12	Irrigating Cystotome	12mm Formed Tip	16	5/8"	25G	0.5mm	9
120-27F-12	Irrigating Cystotome	12mm Formed Tip	13	1/2"	27G	0.4mm	9
121-25F-12	Irrigating Cystotome	12mm Formed Tip, Push/Pull	16	5/8"	25G	0.5mm	9
122-25RF	Irrigating Cystotome	12mm Formed Tip, Reverse	16	5/8"	25G	0.5mm	9
122-27RF	Irrigating Cystotome	12mm Formed Tip, Reverse	13	1/2"	27G	0.4mm	9
120-01	Irrigating Cystotome	13mm Formed Tip	19	3/4"	25G	0.5mm	9
113-01	Hydrodissection (Chang)	1.5mm Flat Beveled Tip, 90 ° Angled	25	1"	27G	0.4mm	10
113-23	Nucleus Hydrodissection	7mm Flattened Tip	25	1"	23G	0.6mm	10
113-25	Nucleus Hydrodissection	7mm Flattened Tip	25	1"	25G	0.5mm	10
113-27	Nucleus Hydrodissection	7mm Flattened Tip	25	1"	27G	0.4mm	10
113-30	Nucleus Hydrodissection	7mm Flattened Tip	25	1"	30G	0.3mm	10
213-25	Nucleus Hydrodissection	7mm Flattened Tip, Vertical Flow	25	1"	25G	0.5mm	10
213-27	Nucleus Hydrodissection	7mm Flattened Tip, Vertical Flow	25	1"	27G	0.4mm	10
113-25-8	Nucleus Hydrodissection	8mm Flattened Tip	25	1"	25G	0.5mm	11
113-25-10	Nucleus Hydrodissection	10mm Flattened Tip	25	1"	25G	0.5mm	11
113-27-10	Nucleus Hydrodissection	10mm Flattened Tip	25	1"	27G	0.4mm	11
113-25F-12	Nucleus Hydrodissection	12mm Formed, Flattened Tip	25	1"	25G	0.5mm	11
113-27F-12	Nucleus Hydrodissection	12mm Formed, Flattened Tip	25	1"	27G	0.4mm	11
118-25	Nucleus Hydrodissection	Curved, Horizontal Flattened Tip	25	1"	25G	0.5mm	11

Code	Name	Description	Length (mm)	Length (inch)	Gauge	Dia (mm)	Page
118-25S	Nucleus Hydrodissection	Curved, Vertical Flattened Tip	25	1"	25G	0.5mm	11
118-27	Nucleus Hydrodissection	Curved, Horizontal Flattened Tip	25	1"	27G	0.4mm	11
118-27S	Nucleus Hydrodissection	Curved, Vertical Flattened Tip	25	1"	27G	0.4mm	11
217-27	Cortical Cleaving Hydrodissection (Grabow)	11mm Bend to Round Tip, Angled 45°	25	1"	27G	0.4mm	11
218-27	Cortical Cleaving Hydrodissection	11mm Bend to Round Tip, Angled 45°	25	1"	27G	0.4mm	12
313-30	Hydrodissection (Tuebingen)	75° Curved, Round Tip	25	1"	30G	0.3mm	12
114-30	Nucleus Hydrolineation	Curved, Beveled Tip	25	1"	30G	0.3mm	12
150-23R	Reverse I and A Cannulae (Simcoe)	Aspiration through Cannulae, 0.4mm Side Port, Irrigation through 13" (33cm) Flexible Tubing	30	13"	21G	0.8mm	13
140-25-1	Irrigating Vectis	5mm Wide (1 ea.), 0.3mm Open Port			25G	0.5 mm	13
140-25-2	Irrigating Vectis	5mm Wide (2 ea.), 0.3mm Open Port			25G	0.5 mm	13
140-25-3	Irrigating Vectis	5mm Wide (3 ea.), 0.3mm Open Port			25G	0.5 mm	13
140-27-1	Irrigating Vectis	5mm Wide (1 ea.), 0.3mm Open Port			27G	0.4 mm	13
124-23	Capsule Polishers (Lu)	8mm Bend, 30mm Top Port, Rounded Tip, Curved, Roughened Olive Tip, Open Port	25	1"	23G	0.6 mm	13
125-23	Capsule Polishers (Terry)	7mm Angled, Silicone Tip	25	1"	23G	0.6 mm	14
125-27	Capsule Polishers (Terry)	7mm Angled, Silicone Tip	25	1"	27G	0.4 mm	14
125-24	Capsule Polishers (Kratz)	8mm Angled, Silicone Tip	25	1"	24G	0.55 mm	14
126-23	Capsule Polishers	10mm Angled, Olive Tip	25	1"	23G	0.6 mm	14
126-25	Capsule Polishers	10mm Angled, Olive Tip	25	1"	25G	0.5 mm	14
108-23	Simcoe Cortex Extractor	Curved, 0.3mm Inside Port	25	1"	23G	0.6 mm	15
105-27S	Aspirating J-Hook	2.0mm x 2.0mm Straight Hook	25	1"	27G	0.4 mm	15
106-27S	Aspirating Cortex Extractor	1.5mm x 1.5mm Straight Hook	25	1"	27G	0.4 mm	15
191-23	Cortex Aspiration	0.4mm Side Port, Male Adapter, Curved	25	1"	23G	0.6 mm	15
192-23	Bimanual I/A Cortex Removal System	0.4mm Side Port, Male/Female Adapters, Curved			21G/23G	0.8/0.6 mm	16
165-25	Stromal Puncture Needle	19mm Bend to Tip, 30° Angled	25	1"	25G	0.5 mm	16
169-30L-6	Ocular Irrigation Tube	Extension Tube with Male/Female Luer Connections					16

Code	Name	Description	Length (mm)	Length (inch)	Gauge	Dia (mm)	Page
169-30L-10	Ocular Irrigation Tube	Extension Tube with Male/Female Luer Connections					16
177-33	Visco Canalostomy	5mm Beveled Tip, Angled			32G		17
178-27	Glaucoma Revision Pick (Lederer)	10mm Bend to Tip, Angled 30°	13	1/2"	27G	0.4mm	17
160-21	Lacrimal Cannulae	Curved, Open End	38	11 1/2"	21G	0.8mm	17
160-25	Lacrimal Cannulae	Curved, Open End	38	11 1/2"	25G	0.5mm	17
160-26	Lacrimal Cannulae	Curved, Open End	38	11 1/2"	26G	0.45mm	17
161-23	Lacrimal Cannulae	Curved, 0.3mm Side Port	38	11 1/2"	23G	0.6mm	18
161-25	Lacrimal Cannulae	Curved, 0.3mm Side Port	38	11 1/2"	25G	0.5mm	18
163-21	Lacrimal Cannulae	Straight, 0.3mm Side Port	38	11 1/2"	21G	0.8mm	18
163-25	Lacrimal Cannulae	Straight, 0.3mm Side Port	38	11 1/2"	25G	0.5mm	18
162-23	Lacrimal Cannulae	25mm Straight with 13mm 23G Tip	25	11 1/2"	19G/23G	1.0mm	18
605-25	LASIK Irrigating Cannulae (Guell)	9mm Formed Bend to Tip, 6 Ports Open Ended	25	1"	25G	0.5mm	19
604-25	LASIK Irrigating Cannulae (Banaji)	12mm Formed, 6x ports, Closed End	25	1"	25G	0.5mm	19
606-25	LASIK Irrigating Cannulae (Burrato)	9mm Formed Bend, 2 Ports Open Ended	25	1"	25G	0.5mm	19
600-16	LASIK Flap Irrigator (Vidaurri)	9mm Angled Bend to Tip, Dual Multi-Port Irrigation Tips, 2 Ports (ea.)	25	1"	25G	0.5mm	19
600-06	LASIK Flap Irrigator (Vidaurri)	13mm Angled Bend to Tip, Dual Multi-Port Irrigation Tips, 4 Ports (ea.)	25	1"	25G	0.5mm	19
603-25	LASIK Irrigating Cannulae (Lindstrom)	7mm Angled, 3x 0.3mm Ports	25	1"	25G	0.5mm	20
600-25	LASIK Irrigating Cannulae (Nichamin)	12mm Formed, Flattened Tip, Open Irrigation	25	1"	25G	0.5mm	20
600-27	LASIK Irrigating Cannulae (Nichamin)	12mm Formed, Flattened Tip, Open Irrigation	25	1"	27G	0.4mm	20
610-23	LASIK Flap Spatula/Irrigator (Hersh)	9mm Angled Bend to Tip	25	1"	23G	0.6mm	20
610-25	LASIK Flap Spatula/Irrigator (Hersh)	9mm Angled Bend to Tip	25	1"	25G	0.5mm	20
613-26	LASIK Irrigating Spatula (Slade)	9mm Formed Bend to Tip	25	1"	26G	0.45mm	20
614-25	LASIK Irrigating Cannulae (Soloman)	Formed Spatula Tip, 3 Ports	25	1"	25G	0.5mm	21
617-27	LASIK Irrigating Cannulae	10mm Formed Bend to Tip, Flattened, 4 Ports	25	1"	27G	0.4mm	21
166-25	Subretinal Fluid Cannulae (Gizzard)	Silicone Sleeve Extended 6mm Beyond Tip, Straight	37	1 7/16"	20G	0.9mm	21

EAGLE LABS
Ophthalmic

Eagle Labs
10201-A Trademark St, Rancho Cucamonga,
CA 91730-5850, USA

International +44 (0) 1765 609555 | **US** (800) 782-6534 / (909) 481-0011

www.innoviamedical.com/eagle | www.eaglelabs.com



AN
INNOVIA
MEDICAL
COMPANY